

GRReddy®

***GR*Reddy Intercooler Kit**

Mitsubishi Eclipse GSX, GST, Spider GST (4G63)



TRUST SUPER TUNING SYSTEM

TOTAL TUNE UP.

AIMING AT REAL COMPETITIONS.

TRUST

Mitsubishi Eclipse GSX, GST, Spider GST (4G63)

Installation Manual

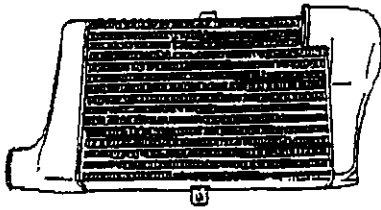
Please read the entire manual before installing this kit.

Application:

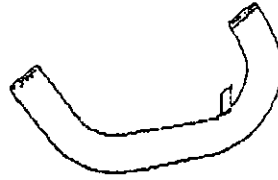
Make	Model	Chassis	Year
Mitsubishi	Eclipse	D32, D33, & D34	95 ~ 97

- This **GRReddy Front Mount Intercooler Kit** is designed only for the vehicles specified above.
- This **GRReddy Front Mount Intercooler Kit** requires the use of the **GRReddy Type-S blow-off valve**, the **GRReddy Pipe Kit**, and the **GRReddy Airinx Kit** for Mitsubishi Eclipse.

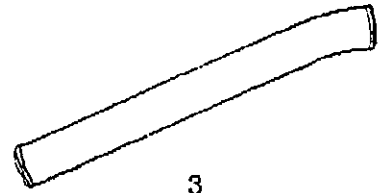
Parts List



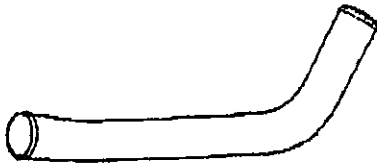
1



2



3



4



5



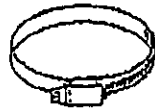
6



7



8



9



10



11



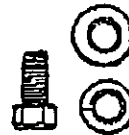
12



13



14

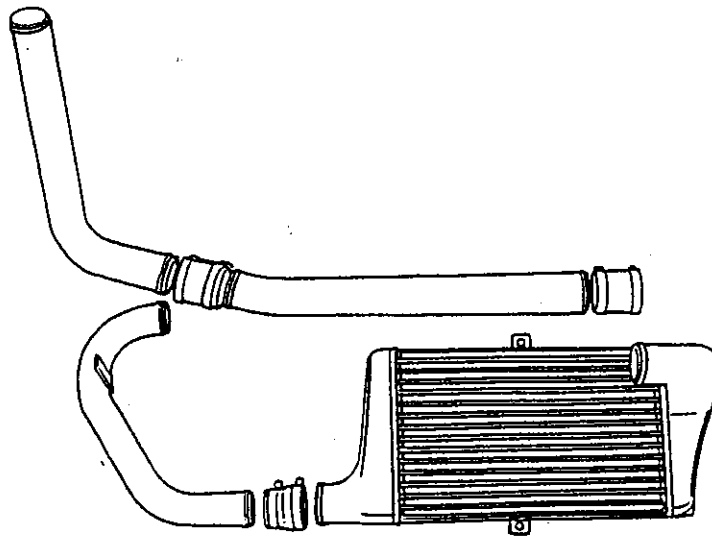


15

Eclipse Intercooler Kit

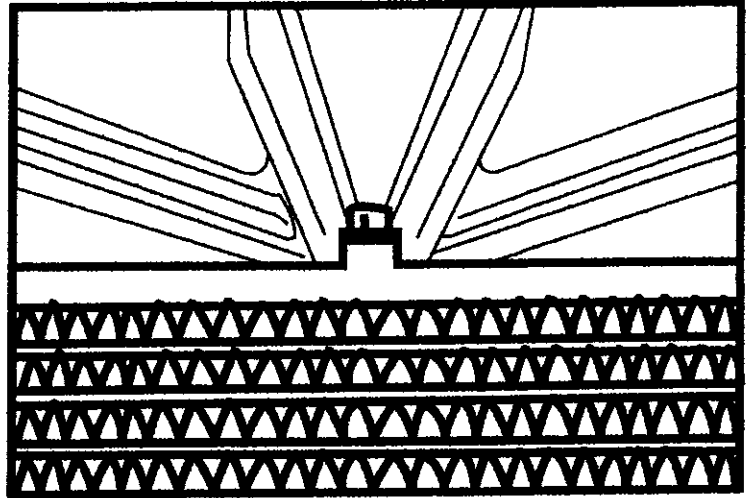
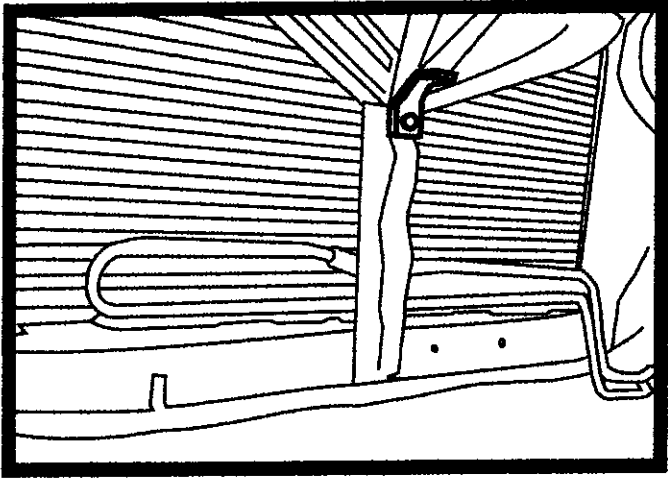
1. Parts List

1. Intercooler type 18	1
2. 50Ø Compression pipe (steel pipe) #1	1
3. 60Ø Compression pipe (steel pipe) #2	1
4. 60Ø Compression pipe (steel pipe) #3	1
5. 50Ø Hose 70mm	1
6. 60Ø Hose 70mm	3
7. 50Ø - 60Ø Reducer hose	1
8. 50Ø Hose band #32	1
9. 60Ø Hose band #36	6
10. Intercooler bracket #1 (top)	1
11. Intercooler bracket #2 (bottom)	1
12. 10Ø Rubber hose 120mm	1
13. Tie wrap 200	2
14. M6 x 15mm P=1.00 (stainless steel) B s/w f/w N	2
15. M8 x 15mm P=1.25 (stainless steel) B s/w f/w -	1

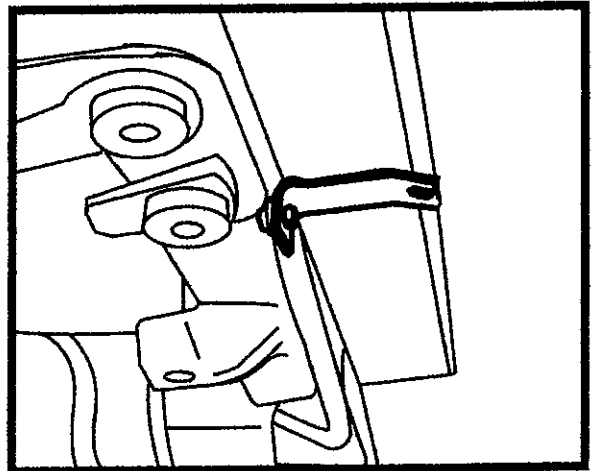
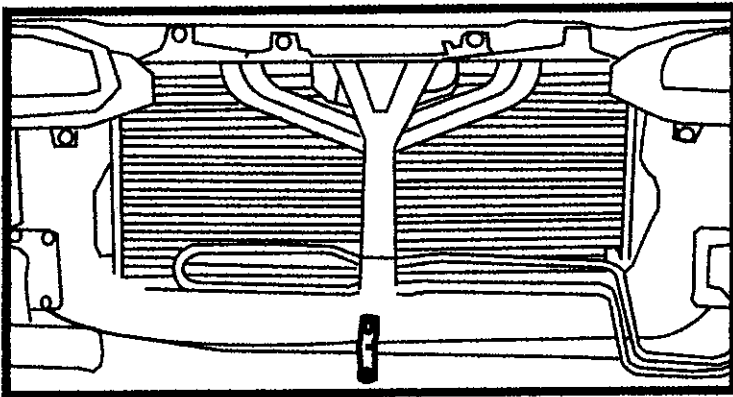


Supplement to GReddy Intercooler kit instruction manual.
When installing a Type 24 Core kit please follow the mounting photos below.

3-3 Upper mounting bracket. (replaces part#10)



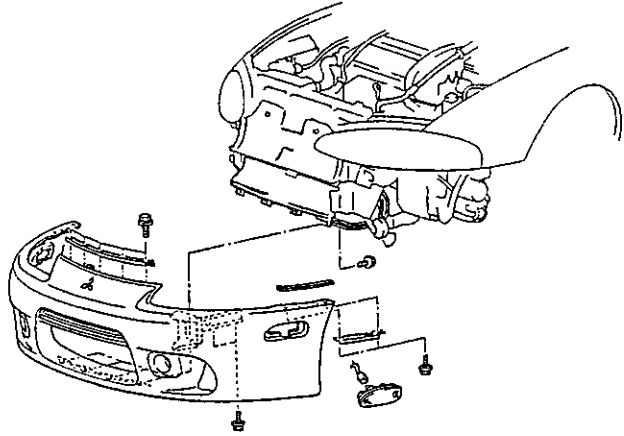
3-4 Lower mounting bracket. (replaces part#11)



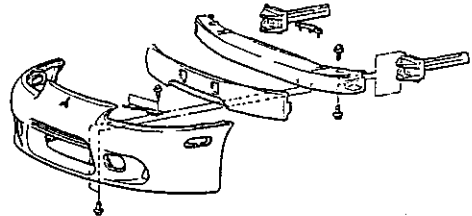
Steps 3-8 and 3-10 Requires more cutting than shown for the Type 18 core kit.

2. Removal of Stock Parts

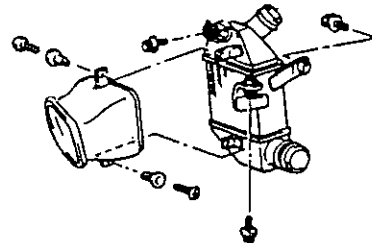
- 2-1 Disconnect the (-) negative terminal of the battery. Remove the front bumper and the air duct.
- 2-2 Remove the front bumper and the air duct.



- 2-3 Disassemble the front bumper assembly.

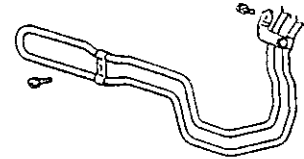


- 2-4 Remove the stock intercooler and air duct.

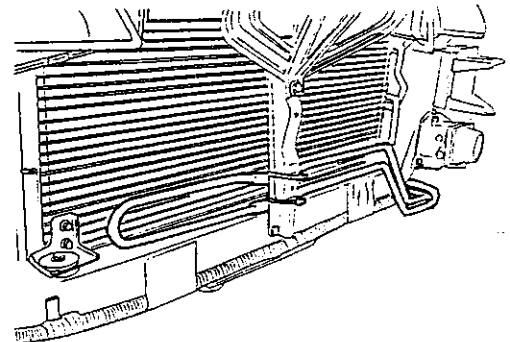


3. GReddy Turbo Kit Instillation

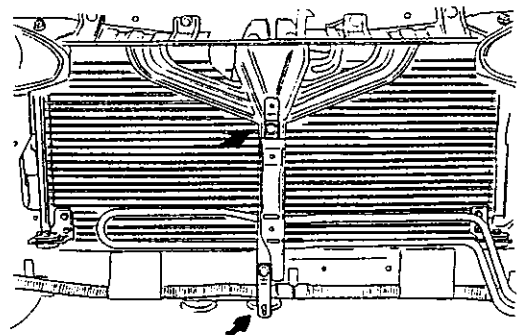
- 3-1 Remove the power-steering cooling
Tube mounting bracket A.
Remove the mounting bracket bolt B.
(as shown in the picture)



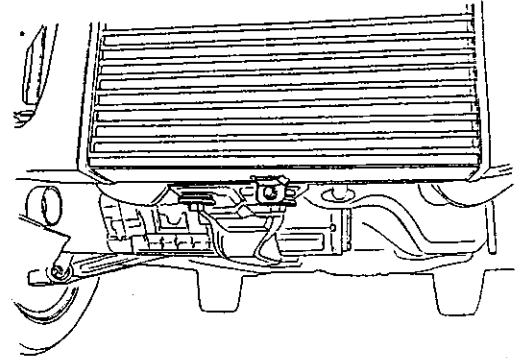
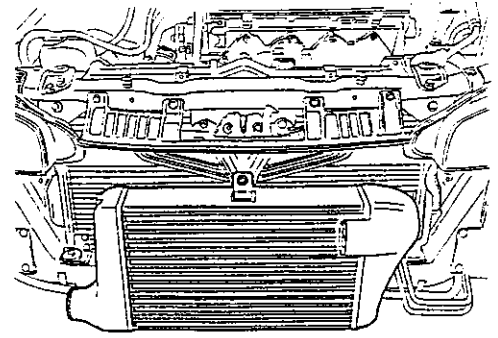
- 3-2 Relocate the tube behind the frame.
Slip a piece of the provided 8Ø hose
over the tube, where it contacts the
frame. Use two tie wraps to secure
the tube to the frame.
Reinstall the mounting bracket bolt back.
(as shown in the picture)
Parts used: #12,13



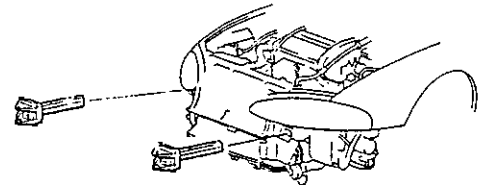
- 3-3 Mount intercooler brackets #1(top) and
#2 (bottom) to the frame using existing
bolts. (as shown in the picture)
Parts used: #10,11



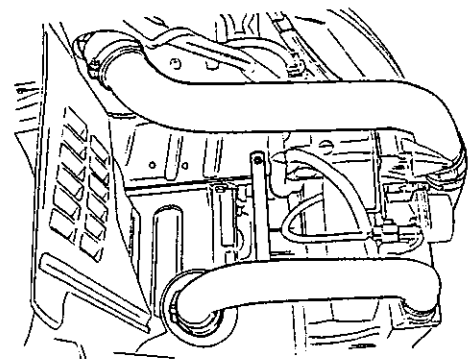
- 3-4 Mount the GReddy intercooler to the two intercooler mounting brackets on the frame.
(as shown in the picture)
Parts used: #1,14



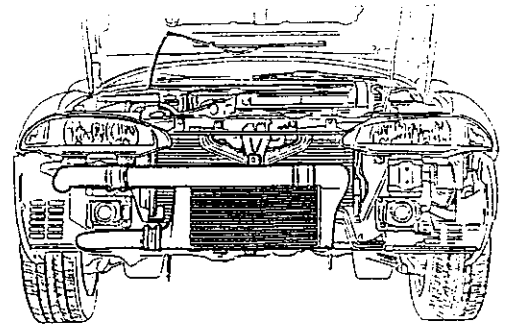
- 3-5 Install the front bumper stay assembly.



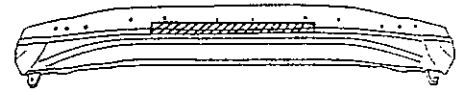
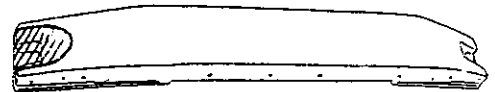
- 3-6 Install compression pipe #1 between the stock hose (or GReddy hard pipe), from the turbocharger, to the intercooler, with the included hoses and hose bands. Bolt the bracket to the body.
(as shown in the picture)
Parts used: #2,5,7,8,9,15



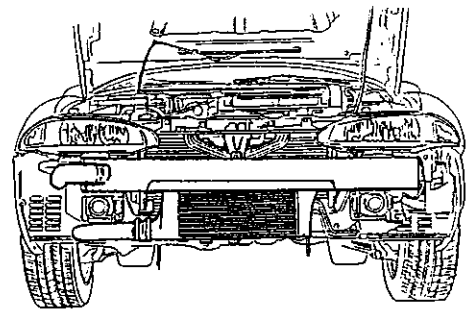
- 3-7 Install compression pipes #2 and #3 using the provided hoses and hose bands, from the intercooler to the stock piping (or GReddy hard pipe) (as shown in the picture)
Parts used: #3,4,6,9



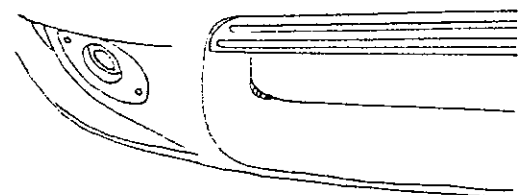
- 3-8 Trim away the shaded area of the bumper support (as shown in the picture) Cut until the bumper support fits snugly over the intercooler and piping.



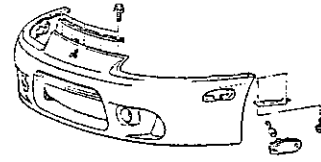
- 3-9 Reinstall the front bumper reinforcement on to the front bumper stay.



- 3-10 Carefully cut the shaded portion of the front bumper cover (as shown in the picture) Be sure the bumper clears the piping.



3-11 Install the front bumper.



3-12 Reconnect the negative terminal of the battery.

3-13 Start the engine and check for any air leaks.